

Delivery Program / Products

MX-ELECTRONIC / Prof. Dr.-Ing. Peter Marx

www.mx-electronic.com info@mx-electronic.com

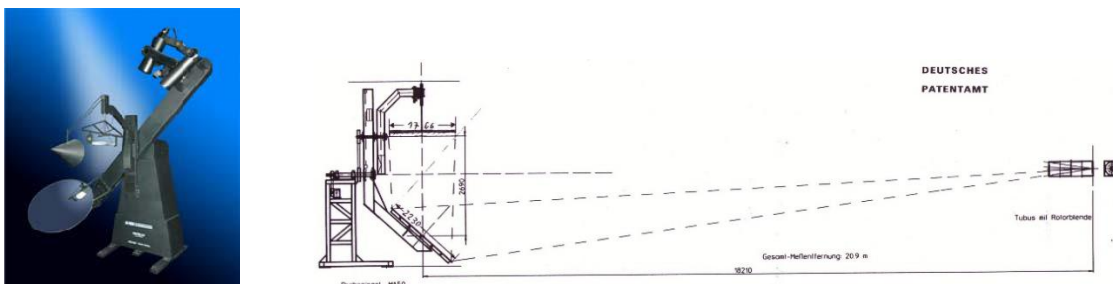
1. Miniluxmeter, price from 540 €



2. Goniophotometer without mirror, price from ca. 45.000 €



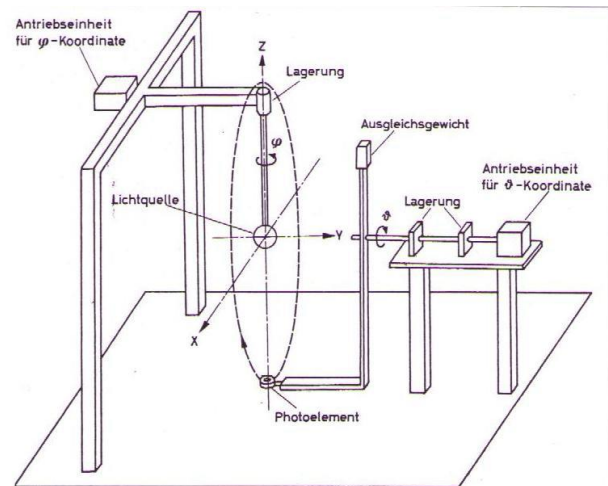
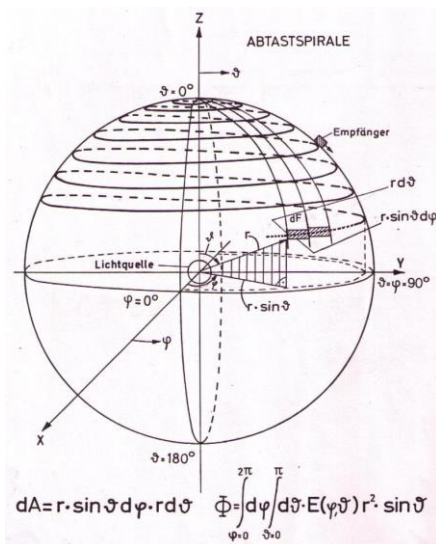
3. Goniophotometer with mirror, price from ca. 100.000 €



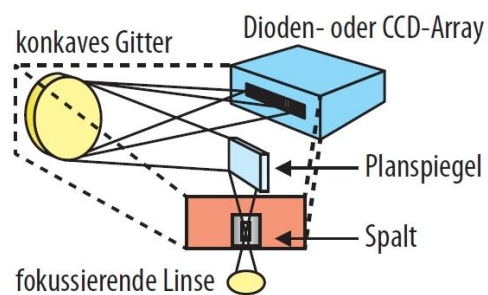
4. Integrating Sphere, price from 3.500 €



Spiral - Photometer (Electronic Integrating Sphere), price on demand



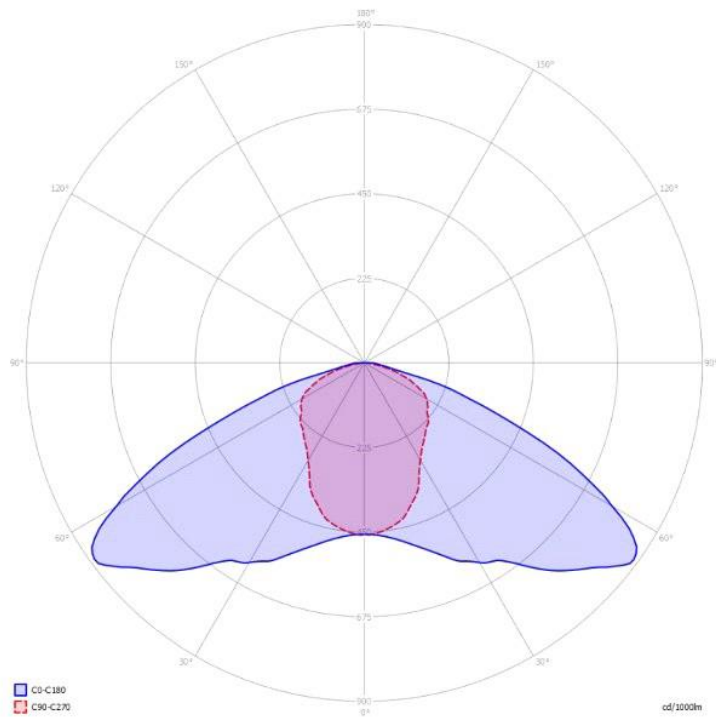
5. Array-Spectrometers und Colorimeters, price from 1.800 €



6. Electronic Measurement- and Supply-Devices, price from 2000 €



7. Roboter-Goniophotometer, price on demand (OEM = Opsira)



8. Light & Charge luminaires for electric cars, price on demand (OEM = Selux)

